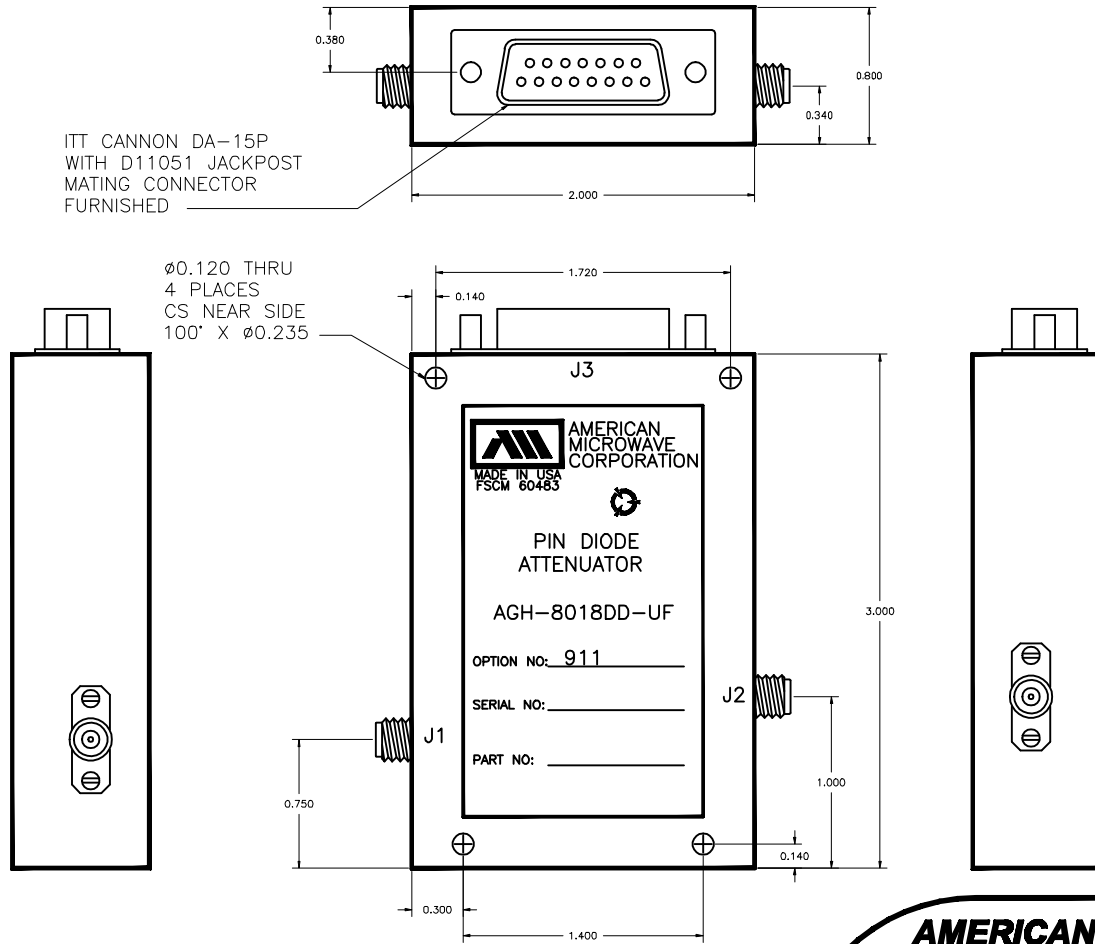


DESCRIPTION:

AMC MODEL AGH-8018DD-UF OPTION: 911 IS A 9 TO 11 GHz FREQUENCY RANGE, ULTRA-HIGH SPEED OVER-OCTAVE BAND VARIABLE ATTENUATOR/MODULATOR, CONTROLLED BY 8 BIT BINARY LOGIC.

REVISIONS				
ZONE	REV.	DESCRIPTION	DATE	APPROVED
	-	ORIGINAL JOB # 608149	10/31/06	



AMERICAN MICROWAVE CORPORATION

7311-G GROVE ROAD
 FREDERICK, MARYLAND 21704 USA
 TEL: 301-662-4700 FAX: 301-662-4938
 WEBSITE: www.americanmicrowavecorp.com
 E-MAIL: sales@americanmicrowavecorp.com
 ISO 9001:2000 CERTIFIED



APPROVALS		DATE	TITLE		
DRAWN <i>PRB</i>		10/31/06	MECHANICAL OUTLINE DRAWING		
CHECKED			AGH-8018DD-UF		
ISSUED			OPTION: 911		
SIZE	FSCM NO.	DWG NO.	REV.		
A	60483	100-7721-000	-		
SCALE N:S			SHEET 2 OF 4		

REVISIONS

ZONE	REV.	DESCRIPTION	DATE	APPROVED
	-	ORIGINAL JOB # 608149	10/31/06	

DESCRIPTION:

AMC MODEL AGH-8018DD-UF OPTION: 911 IS A 9 TO 11 GHz FREQUENCY RANGE, ULTRA-HIGH SPEED OVER-OCTAVE BAND VARIABLE ATTENUATOR/MODULATOR, CONTROLLED BY 8 BIT BINARY LOGIC.

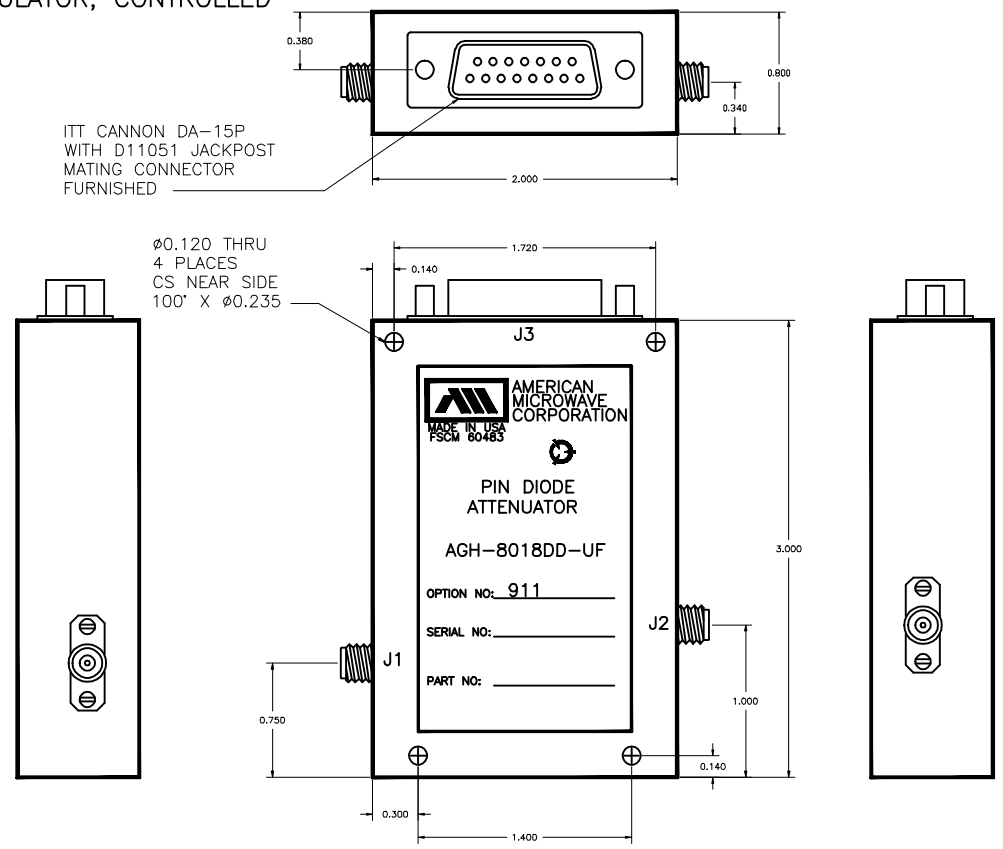
SPECIFICATIONS:

- FREQUENCY: 9 GHz TO 11 GHz
- INSERTION LOSS: 3.5 dB MAXIMUM
- ISOLATION: 60 dB MINIMUM
- VSWR: 2.0:1 MAXIMUM
- SPEED: RISE: 500 nS MAXIMUM
FALL: 500 nS MAXIMUM
- ACCURACY: 0 TO 30DB = ±0.5DB MAX.
30 TO 50DB = ±1.0DB MAX.
50 TO 60DB = ±1.5DB MAX.
- FLATNESS: 0 TO 10DB = ±0.7DB MAX.
10 TO 20DB = ±1.0DB MAX.
20 TO 40DB = ±1.5DB MAX.
40 TO 60DB = ±1.6DB MAX.
- POWER SUPPLY: ±12VDC @ 100MA MAX.
- CONTROL: TTL LOGIC, 8 BIT TRU BINARY
- SIZE: 1.00" (L) x 1.00" (W) x 0.50" (H)
- WEIGHT: 1.5 OUNCE TYPICAL

OPTIONS:

- 911 9 GHz TO 11 GHz

J3 PIN FUNCTION	
PIN	FUNCTION
1	GND
2	ANALOG INPUT
3	N/C
4	GND
5	0.25 DB
6	0.5 DB
7	1.0 DB
8	2.0 DB
9	4.0 DB
10	8.0 DB
11	16.0 DB
12	32.0 DB
13	+V
14	-V
15	N/C



AT = WITH DRIVER, NON-REFLECTIVE/ABSORPTIVE
M/N = MANUFACTURER PART NUMBER
O/N = OPTION NUMBER
S/N = SERIAL NUMBER
P/N = PART NUMBER

ENVIRONMENTAL RATINGS

- TEMPERATURE: -55°C TO +85°C (OPERATING)
-65°C TO +125°C (STORAGE)
- HUMIDITY: MIL-STD-202F, METHOD 103B COND. B
- SHOCK: MIL-STD-202F, METHOD 213B COND. B
- VIBRATION: MIL-STD-202F, METHOD 204D COND. B
- ALTITUDE: MIL-STD-202F, METHOD 105C COND. B
- TEMPERATURE CYCLE: MIL-STD-202F, METHOD 107D COND. A

ALL DIMENSIONS ARE IN INCHES
TOLERANCES:
X.XX ±0.020
X.XXX ±0.010

NOTE: THE ABOVE SPECIFICATIONS ARE SUBJECT TO CHANGE OR REVISION

AMERICAN MICROWAVE CORPORATION

7311-G GROVE ROAD
FREDERICK, MARYLAND 21704 USA
TEL: 301-662-4700 FAX: 301-662-4938
WEBSITE: www.americanmicrowavecorp.com
E-MAIL: sales@americanmicrowavecorp.com
ISO 9001:2000 CERTIFIED



APPROVALS		DATE	TITLE		
DRAWN <i>PRB</i>		10/31/06	PRODUCT FEATURE AGH-8018DD-UF OPTION: 911		
CHECKED			SIZE A	FSCM NO. 60483	DWG NO. 100-7721-000
ISSUED			SCALE N:S		REV. -
					SHEET 1 OF 4

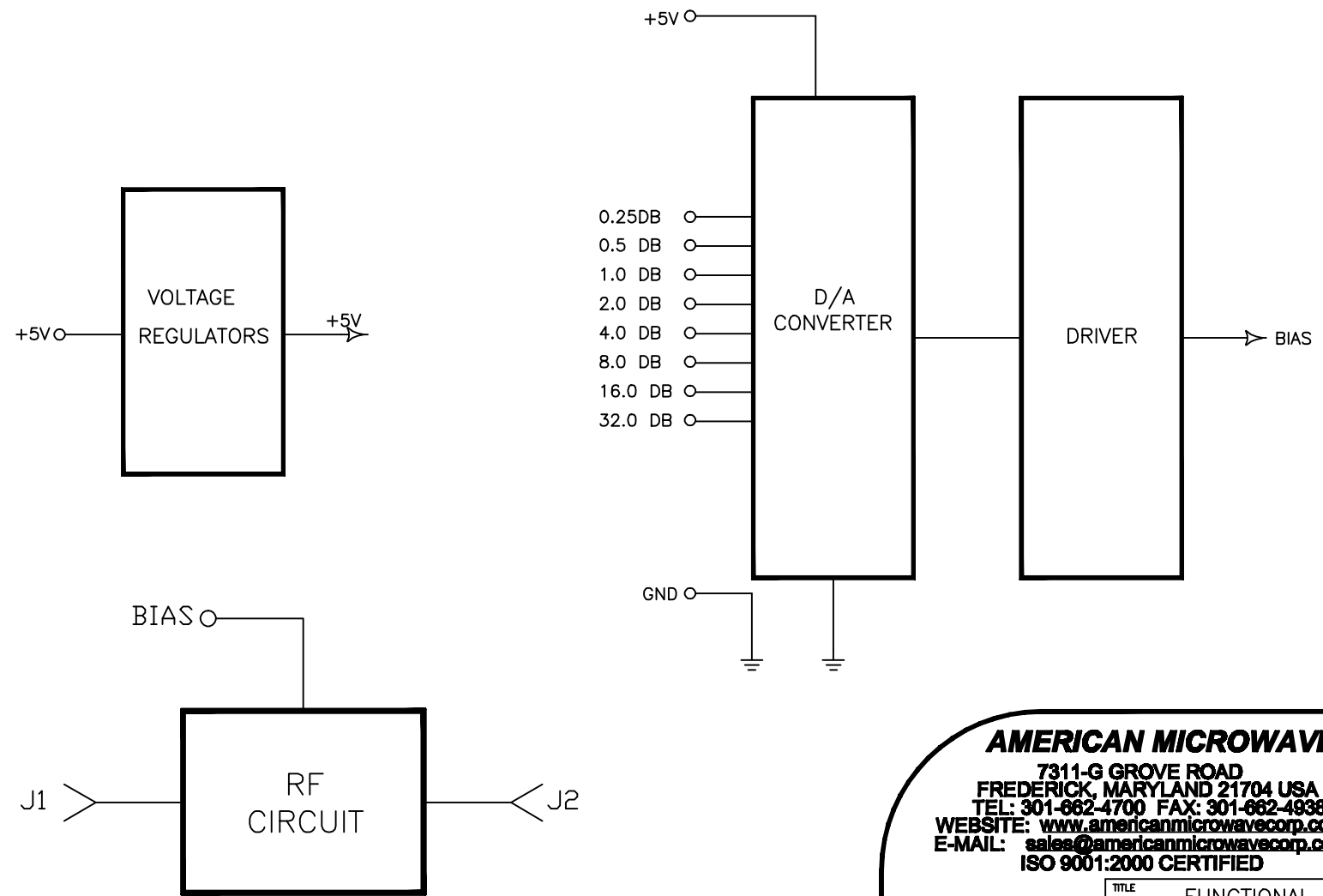
REVISIONS

ZONE	REV.	DESCRIPTION	DATE	APPROVED
	-	ORIGINAL JOB # 608149	10/31/06	

DESCRIPTION:

AMC MODEL AGH-8018DD-UF OPTION: 911 IS A 9 TO 11 GHz FREQUENCY RANGE, ULTRA-HIGH SPEED OVER-OCTAVE BAND VARIABLE ATTENUATOR/MODULATOR, CONTROLLED BY 8 BIT BINARY LOGIC.

FUNCTIONAL BLOCK DIAGRAM



AMERICAN MICROWAVE CORPORATION

7311-G GROVE ROAD
 FREDERICK, MARYLAND 21704 USA
 TEL: 301-662-4700 FAX: 301-662-4938
 WEBSITE: www.americanmicrowavecorp.com
 E-MAIL: sales@americanmicrowavecorp.com
 ISO 9001:2000 CERTIFIED



APPROVALS		DATE	TITLE		
DRAWN <i>PRB</i>		10/31/06	FUNCTIONAL BLOCK DIAGRAM		
CHECKED			AGH-8018DD-UF		
ISSUED			OPTION: 911		
SIZE	FSCM NO.	DWG NO.	REV.		
A	60483	100-7721-000	-		
SCALE N:S			SHEET		3 OF 4